



FUSION® MS-BT100 Installation Instructions

Important Safety Information

WARNING

Failure to follow these warnings and cautions could result in personal injury, damage to the vessel, or poor product performance.

See the *Important Safety and Product Information* guide in the stereo box for product warnings and other important information.

NOTICE

This device does not contain any user-serviceable parts. Unauthorized repairs or modifications could result in permanent damage to the equipment and void your warranty and your authority to operate this device.

Installation

Tools and Hardware Needed

You can mount the device using the adhesive pad (included) or using a screw (not included). To use a screw, you will need these tools and hardware.

- One 6-gauge, 2.54 cm (1 in.), pan-head, self-tapping, non-corrosive or similar screw
- Drill
- Drill bit
- Screwdriver

Mounting Considerations

You should select a mounting location that allows the best range for Bluetooth® audio streaming.

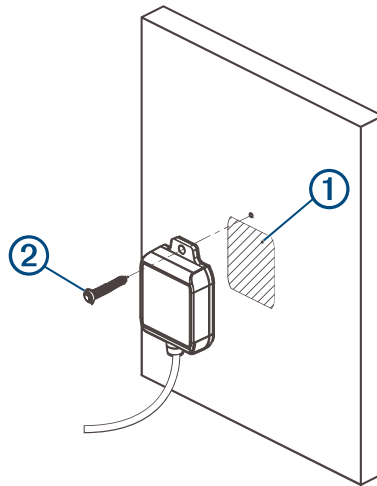
- Select a dry location with a flat mounting surface that has no direct exposure to water droplets or spray.
- To avoid interference, select an elevated mounting location away from metalwork.
- Mount the BT100 device within 10 m (33 ft.) of your Bluetooth device.
- For the best range, select a mounting location that has no barriers between the BT100 device and your Bluetooth device.
- Ensure the provided 1.5 m (5 ft.) wiring harness extends from the mounting location to your stereo.
- To avoid interference with a magnetic compass, do not install the device closer to a compass than the compass-safe distance value listed in the product specifications.
- To avoid interference with navigational and radio communications equipment (for example, VHF radio), do not install the BT100 device near such equipment.



Mounting

WARNING

Before you install any equipment, disconnect the vessel's power supply. Remove the lead from the battery. Investigate the location of the vessel's fuel tanks and electrical wires. Protect wires to prevent damage.



Mounting with the Adhesive ①

You can mount the device using the adhesive.

- 1 Clean the mounting surface with an alcohol swab.
- 2 Remove the backing from the adhesive on the back of the BT100 device.
- 3 Press the BT100 device firmly onto the mounting surface.

Mounting with a Screw ②

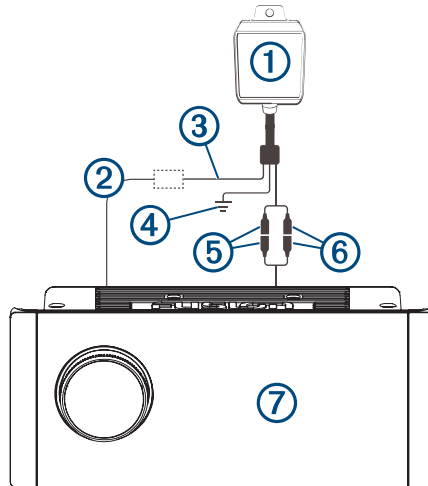
You can mount the device using a screw instead of the adhesive.

- 1 Drill a pilot hole in the mounting surface.
- 2 Secure the device to the mounting surface using a screw.

NOTICE

To avoid damage the device, do not over tighten the screw.

Wiring Diagram



①	BT100
②	Stereo amplifier-on signal wire
③	Power connection, 10 to 16 Vdc
④	Ground wire
⑤	Red RCA plug connected to red AUX IN plug
⑥	White RCA plug connected to white AUX IN plug
⑦	Stereo

Connections

Connection	Wire or Plug Color / Notes
Ground (-)	Black. Connect this wire first, to the same ground connection as the stereo (usually a black wire).
Power (+) 10 to 16 Vdc	Red. To protect your BT100 electrically, connect to the Amplifier On wire (usually blue) on the stereo. If connecting directly to a 12 Vdc power supply, install a power switch and a 2 A fuse between the power supply and the BT100.
Left audio channel	White RCA plug. Connect to the white Aux In RCA socket on the stereo.
Right audio channel	Red RCA plug. Connect to the red Aux In RCA socket on the stereo.

Operation

Connecting to a Compatible Bluetooth Device

The BT100 device allows you to play audio from a compatible Bluetooth device over the stereo system.

Refer to the user manual for your Bluetooth device to learn how to enable discoverable mode. The BT100 does not require a PIN to pair.

- 1 Enable Bluetooth wireless technology on the Bluetooth device and bring it within 10 m (33 ft.) of the BT100 device.
- 2 Turn off and on the stereo system and the BT100 device to disconnect from any previously paired devices and to set the BT100 device to discoverable mode.
- 3 On your Bluetooth device, select the BT100 device.

Connecting to a Different Bluetooth Device

Turn off and on the stereo system and the BT100 device to disconnect from any previously paired Bluetooth devices and enable discoverable mode.

Playing Audio

After pairing your Bluetooth device with the BT100 device, you can use your Bluetooth device to select and play music on your stereo over Bluetooth wireless technology. The controls on the stereo do not control the BT100 device. You must select music and playback options from your Bluetooth device.

- 1 Ensure your Bluetooth device is paired with your BT100 device.
- 2 Select the AUX IN source on the stereo.
- 3 From your Bluetooth device, play music and control the playback as needed.

Troubleshooting

My music is not playing over the stereo system

When I play music on my Bluetooth device, there is no audio output through the stereo system.

- Ensure the BT100 device is paired with your Bluetooth device. Refer to your user manual for your Bluetooth device.
- Verify that the stereo system is turned on and the audio source is set to AUX IN.
- Ensure all wires and connectors are connected properly.
- Ensure your device is configured to play music over Bluetooth wireless technology.

I am unable to find the BT100 device on my Bluetooth device

- Turn off and on the stereo system and the BT100 device to disconnect from any previously paired devices.
- Ensure the stereo source is set to AUX IN.
- Ensure the wires and connectors are connected correctly.

Specifications

Cable length	1.5 m (5 ft.)
Water and dust rating	IEC 60529 IP65 Sealed against all dust ingress, and protected against jets of water.
Bluetooth	A2DP V3.0 Class 2
Operating range	Up to 10 m (33 ft.)
Dimensions (H x W x D)	59 x 42 x 15 mm (2.4 x 1.7 x 0.6 in.)
Input voltage	10 to 16 Vdc
Operating current (max.)	0.1 A
Wireless frequency	Bluetooth 2.4 GHz @ 5 dBm maximum
Compass-safe distance	5 cm (2 in.)

Registering Your Fusion Device

Help us better support you by completing our online registration today.

- Go to www.fusionentertainment.com.
- Keep the original sales receipt, or a photocopy, in a safe place.

© 2019–2021 Garmin Ltd. or its subsidiaries

Garmin®, the Garmin logo, FUSION®, and the Fusion logo, are trademarks of Garmin Ltd. or its subsidiaries, registered in the USA and other countries. These trademarks may not be used without the express permission of Garmin.

The BLUETOOTH® word mark and logos are owned by the Bluetooth SIG, Inc. and any use of such marks by Garmin is under license.

IC: 12234A-BT100

FCC: R2M-BTR002

